



High Precision Optics Series

EN

The configurable viewport for all high vacuum and ultra high vacuum applications



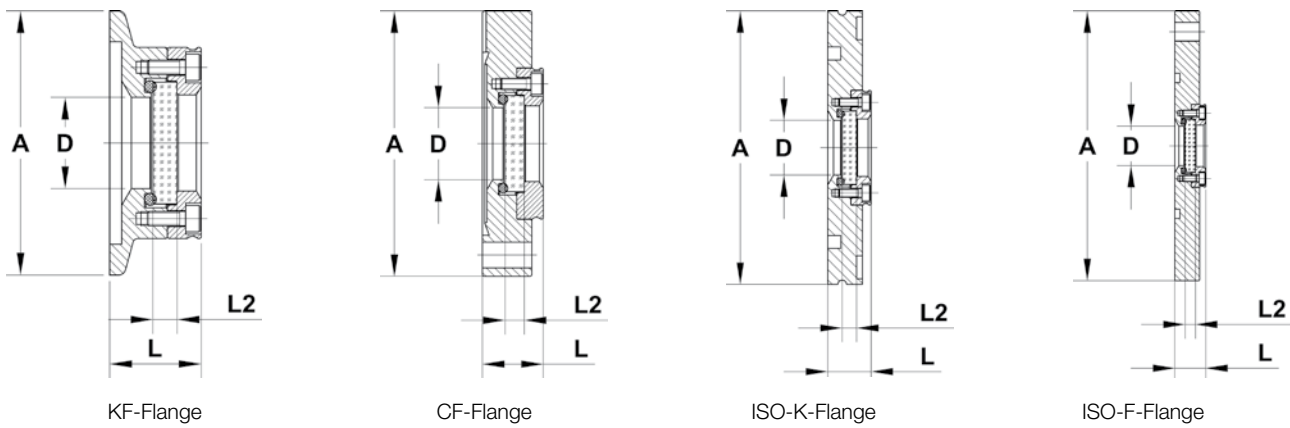
- Excellent optical properties
- Premium anti-reflection coatings for the whole clear aperture, with a high degree of versatility
- Vacuum suited up to UHV-applications



NICHTS ist unerreichbar.

Technical data

■ View diameter	20 mm, 34 mm, 44 mm	Depending on your configuration
■ Spectral range	UV VIS, VIS, VIS-IR, IR	
■ Coatings	Uncoated, VAR and BBAR	
■ Laser damage threshold	1 – 10 J/cm ²	
■ Flatness	Bis $\lambda/10$	
■ Optical quality	Bis 10-5	
■ Flange types	CF40 – CF63, KF40, ISO 63, others on request	
■ Flange material	Stainless Steel 1.4404 (316L)	
■ Max. bakeout temperature	150 °C permanent, 180 °C short-term (30 min)	
■ Max. heating/cooling rate	3 K/min	
■ Leak rate (He)	$5 \cdot 10^{-10}$ mbar · l/s	



Flange type	A	D	L	L2
KF25	40 mm	20 mm	27 mm	5 mm
KF40	55 mm	20 mm	19 mm	5 mm
CF40	70 mm	20 mm/34 mm	16 mm/19 mm	5 mm/4 mm
CF63	114 mm	20 mm/44 mm	21 mm/22 mm	5 mm/12 mm
ISOK63	95 mm	20 mm/44 mm	15 mm/19 mm	5 mm/12 mm
ISOF63	130 mm	20 mm/44 mm	15 mm/19 mm	5 mm/12 mm

Field of use

Laser application



UV-VIS application



Wide range application

